

rover

LECTERN PODIUM



Model Number

RLMPN3024-TE-Pxx

Dimensions

30"W x 24"D

pneumatic height adjustable
27-3/4" high to 44-3/8"

Finishes

available in two
Invincible colors,
smooth finish,
-P40 Ebony Black
-P80 Silver

Sizes

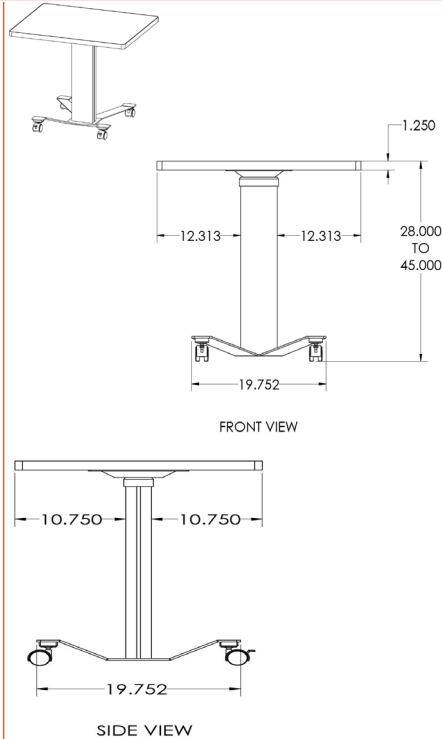
WxD

30x20 RLMPN3020-TE-Pxx
30x24 RLMPN3024-TE-Pxx

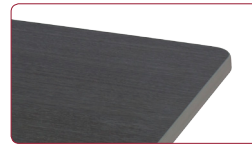
ex: **RLMPN3024-TE-P80**

RL = Rover Lectern Podium
M = Mobile
PN = Pneumatic Height-Adjustable
3024 = 30W x 24D
-TE = T-mold edge
-P80 = Silver
(or -P40 for black)

Detail



Features



1-1/4" laminate top,
M3 commercial grade
wood core
(45#-48# density)



available in
T-Mold or
PVC Edge
Molding



pneumatic
height adjustable
range:
27-3/4" to 44-3/8"



equipped
with
casters
for
mobility