

spartan

LECTERN PODIUM



30Wx20D



30Wx24D

Model Number

SLMPN3020-TE-SW-Pxx

Dimensions

30"W x 20"D
pneumatic height adjustable
26-1/2" high to 43-1/4"

Finishes

available in two
Invincible colors,
smooth finish,
-P40 Ebony Black
-P80 Silver

Sizes

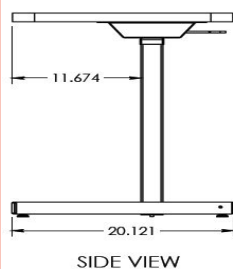
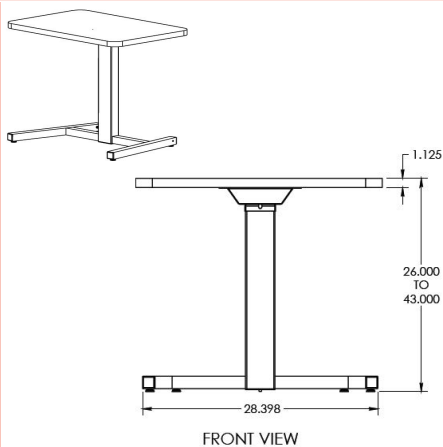
WxD

30x20 SLMPN3020-TE-SW-Pxx
30x24 SLMPN3024-TE-SW-Pxx

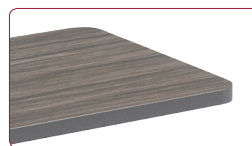
ex: **SLMPN3020-TE-SW-P80**

SL = Spartan Lectern Podium
M = Mobile
PN = Pneumatic Height-Adjustable
3020 = 30W x 20D
-TE = T-mold edge
-SW = Skate Wheel
-P80 = Silver
(or -P40 for black)

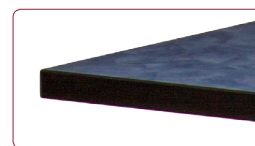
Detail



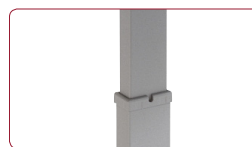
Features



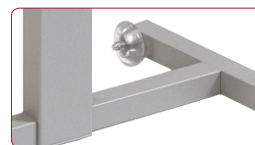
1-1/4" laminate top,
M3 commercial grade
wood core
(45#-48# density)



available in
T-Mold or
PVC Edge
Molding



pneumatic
height adjustable
range:
26-1/2" to 43-1/4"



equipped
with skate
wheels
for wheel
barrow style
mobility



invincible
building forever furniture

(V) 877 682 4601
(F) 920 683 2970
sales@invinciblefurniture.com

842 South 26th Street PO Box 1117
Manitowoc, Wisconsin 54221-1117
invinciblefurniture.com